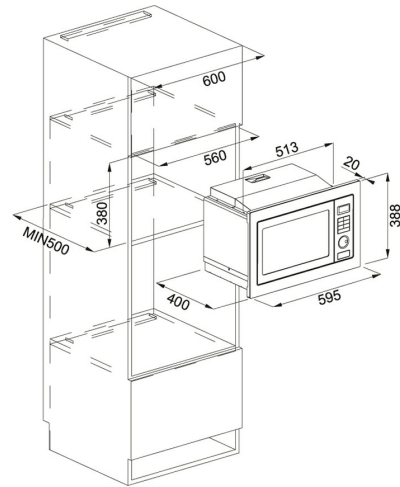


Microwave | 131.0391.304

FAMILY : Ovens | SERIE : Microwave | MODEL : FMW 250 CR2 G BK | FINISH : Glass Black | PRODUCT LINE : Crystal |
INSTALLATION TYPE : Built-In Microwave



TECHNICAL DATA

Width Oven in cm	60.00 cm
Type	Combined microwave oven with grill
Type	Built-in
Number of functions	7
Cavity capacity	25 liters
Voltage	230
Type of Controls	Electronic timer
Standard Equipement	Glass turntable plate Ø 315 mm, 1 grid
Programmer	ELECTRIONIC-WITH-DIGITAL-DISPLAY-AND-TOUCH-CONTROL
Display	DIGITAL
Power (W)	900
Cooling Fan	NO