

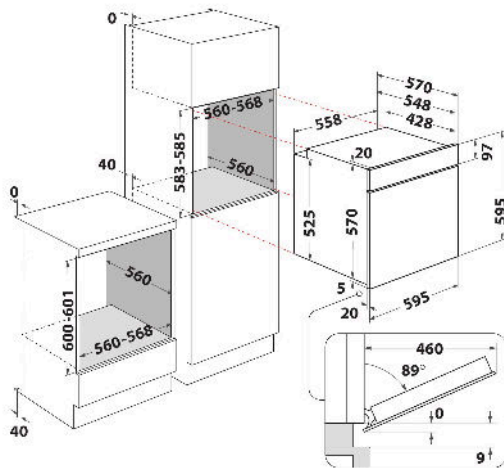
OMR35HR0X

12NC: 859991659930

GTIN (EAN) code: 8003437939228

Whirlpool

SENSING THE DIFFERENCE



- SmartClean
- Energy class A
- Cavity 71 L
- Cook3
- Defrost function
- Grill
- Easy Clean Enamel Interior
- Turbo grill function
- Pastry function
- Tilting Grill for easy cleaning
- Conventional Cooking
- Door Glasses Number: 2
- Grill 1500 W
- 1 Grid
- 1 Tray
- Electronic Temperature Control
- Mechanic programmer

Whirlpool built in electric oven: inox color, self cleaning - OMR35HR0X

This Whirlpool built in Oven features: advanced electric technology allowing you to cook dishes saving energy. Innovative Cook3 function, that allows you to cook up to three separate dishes at the same time, without the risk of aromas mixing.



Multifunction 5

Multiple cooking methods. The Multifunction 5 feature offers flexible cooking options, to ensure perfect results, whatever the recipe.



Cook3

No aroma mixing. With the innovative Cook3 function, you can cook up to three separate dishes at the same time, without the risk of aromas mixing.



Smart clean

Effortless, eco-friendly cleaning. The innovative SmartClean technology cleans your oven thoroughly and efficiently in just 30 minutes, without the use of detergents. Simply add 200cc of water to the oven cavity, run the SmartClean cycle, then wipe with a dry cloth.



Modern Aesthetics

Modern and elegant design, perfectly fitting your kitchen style.



Convection Bake

Cook on up to two levels at the same time.



Standard cavity

This Whirlpool Oven features a standard-size cavity.



Energy class

Outstanding energy savings. Ovens with an A/ A+ energy rating offer an excellent level of energy efficiency, ensuring lower consumption and saving you money on your energy bills.



Energy class A

Energy efficient. With its A energy rating, this Whirlpool appliance will allow you to enjoy both ideal performance and excellent energy consumption.

OMR35HR0X

12NC: 859991659930

GTIN (EAN) code: 8003437939228

Whirlpool

SENSING THE DIFFERENCE

MAIN FEATURES

Product group	Oven
Commercial code	OMR35HR0X
Main colour of product	Inox
Construction type	Built-in
Type of control	Mechanical
Type of control settings	-
Are any hobs controls integrated?	No
Which kind of hobs can be controlled?	-
Automatic programmes	No
Current (A)	13
Voltage (V)	220-240
Frequency (Hz)	50/60
Length of Electrical Supply Cord (cm)	100
Plug type	No
Depth with open door 90 degree (mm)	-
Height of the product	595
Width of the product	595
Depth of the product	551
Minimum niche height	0
Minimum niche width	0
Niche depth	0
Net weight (kg)	27.2
Usable volume (of cavity)	71
Integrated Cleaning system	Hydrolytic
Grids of the cavity	1
Trays	1

TECHNICAL FEATURES

Timer	Yes
Time control	Mechanical
Time-setting options	Start and Stop
Safety device	-
Interior light	Yes
Number of interior lights of the cavity	1
Position of interior lights of the cavity	Front left
Oven guides of the cavity	Grids
Probe of the cavity	No

PERFORMANCES

Energy input	Electric
Type of energy of the cavity	Electricity
Energy efficiency class - NEW (2010/30/EU)	A
Energy consumption per cycle conventional - NEW (2010/30/EU)	0.81
Energy consumption per cycle forced air convection - NEW (2010/30/EU)	0.90

ENERG Y UA
енергия · ενεργεια IE 1A

WHIRLPOOL OMR35HR0X

A+++
A++
A+
A
B
C
D

A

71 L

0.81 kWh/cycle*
0.90 kWh/cycle*

* цистерна · cylindus · partion · zylinder · nádókapacitás · ciccio · tsükkel · ohjelma · ciklus
ciklus · cikls · ciklu · cycles · cykl · ciclu · program · cykel

65/2014