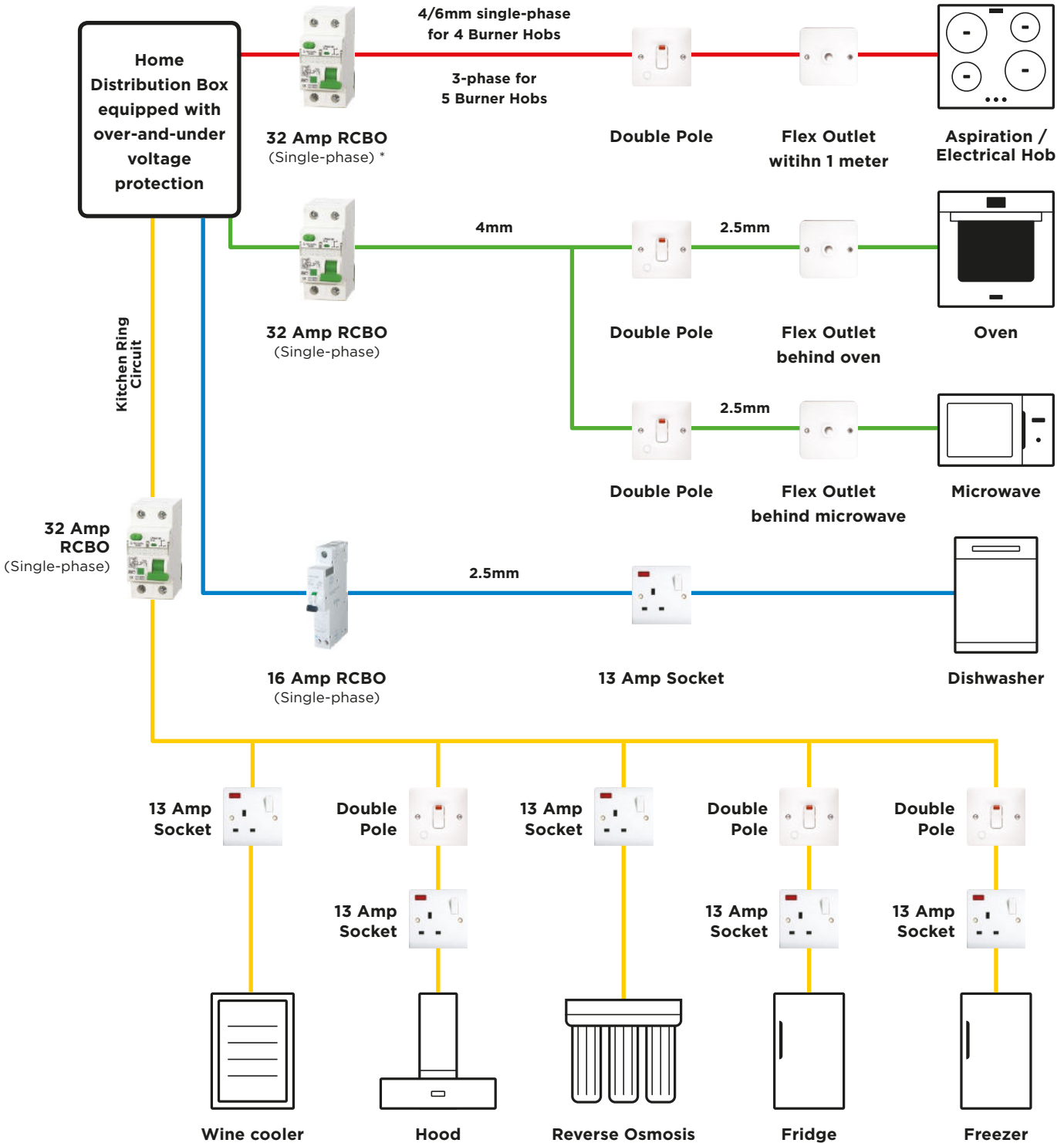


YOUR JOURNEY STARTS HERE


WITH YOUR APPLIANCE SPECIALISTS



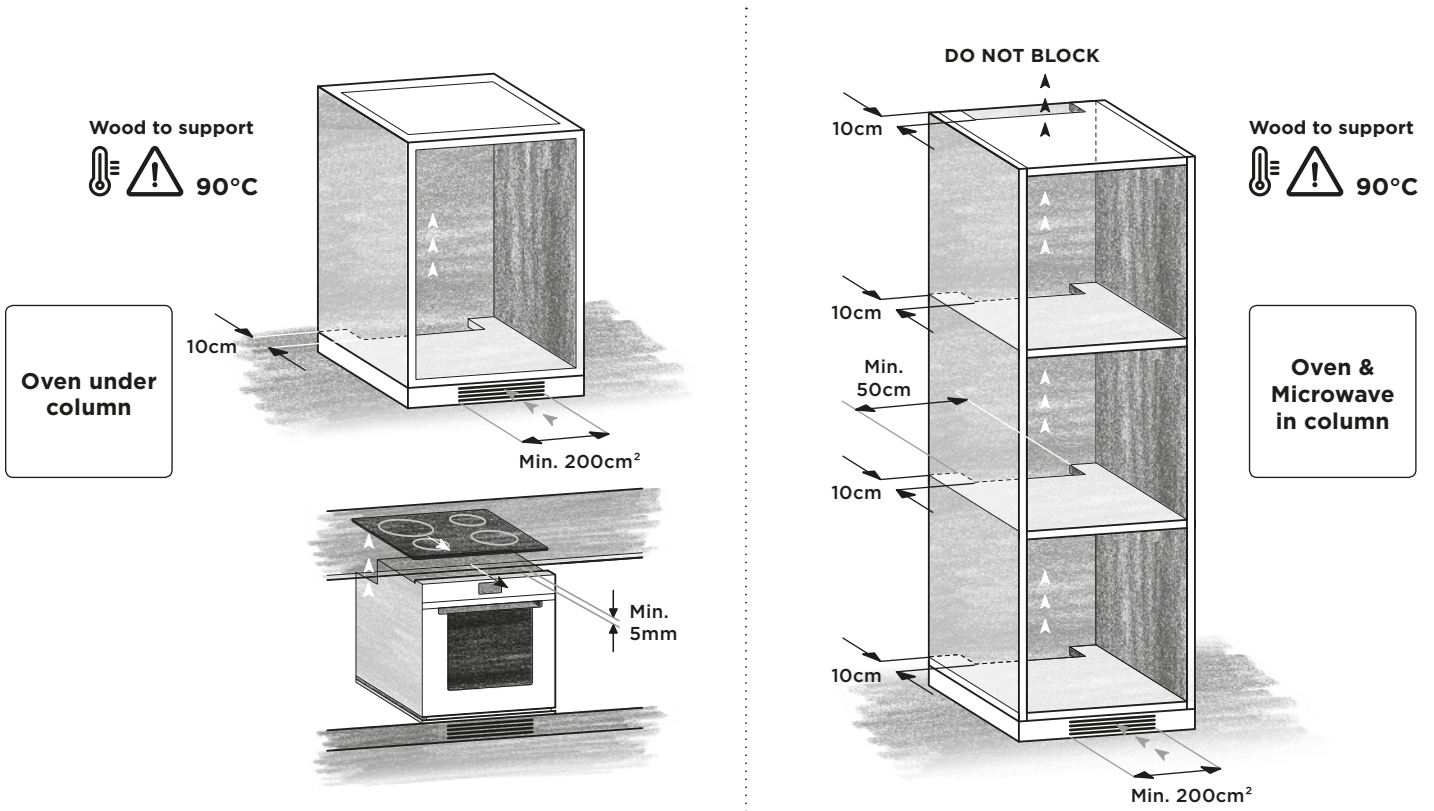
POWERING UP YOUR APPLIANCES



Discuss with the electrical installer if 3-phase.

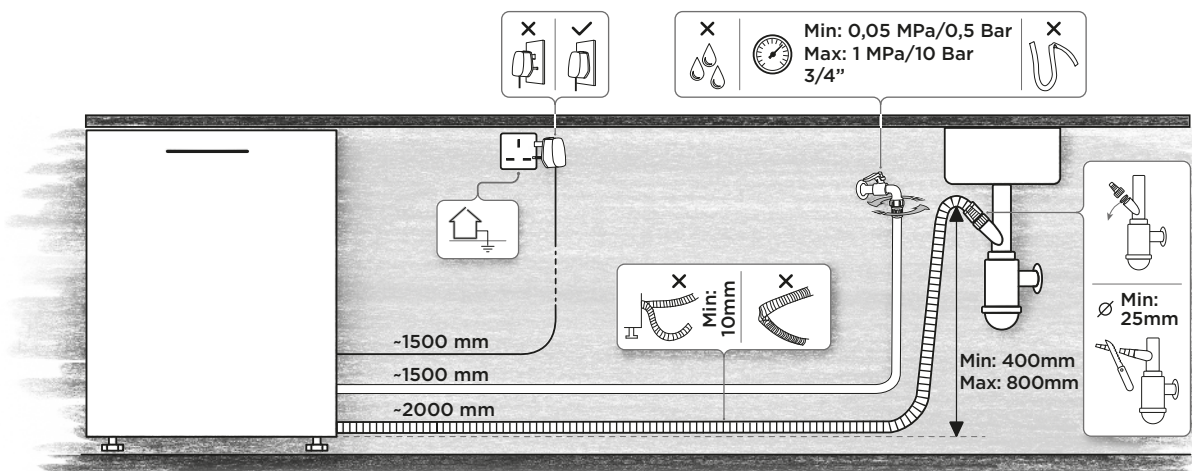
	ELECTRICAL INSTALLATION GUIDE	
	Designed by	CROSSCRAFT TECHNICAL OFFICE
	Version	01.2020

OVEN & MICROWAVE



Refer to product specification sheet for cabinetry cut-outs.

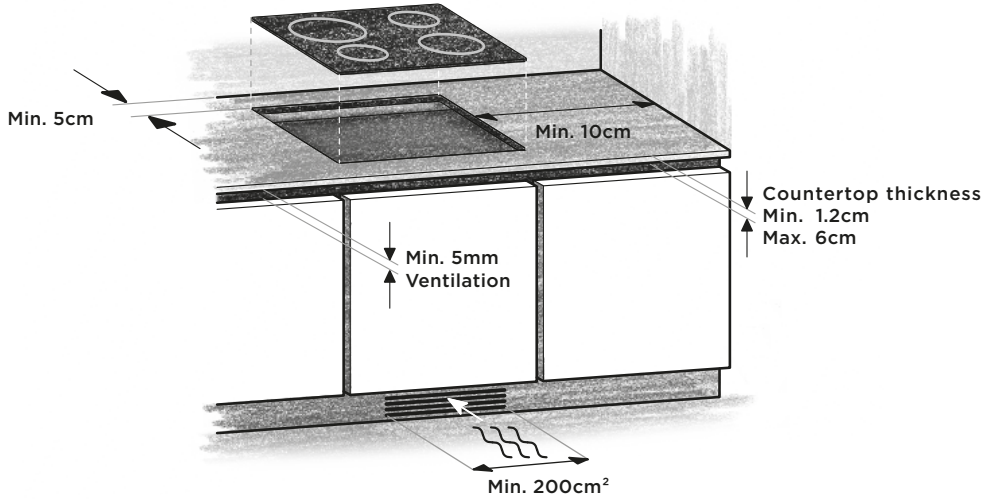
DISHWASHER



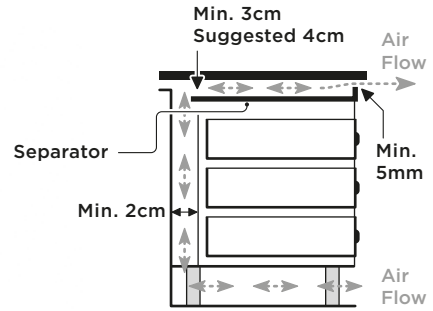
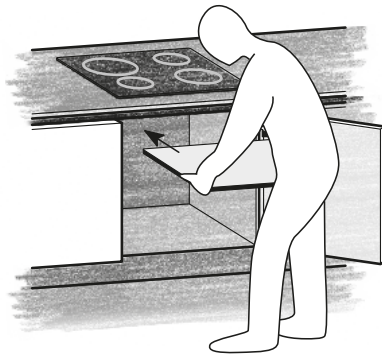
Refer to product specification sheet for cabinetry cut-outs.

HOBS

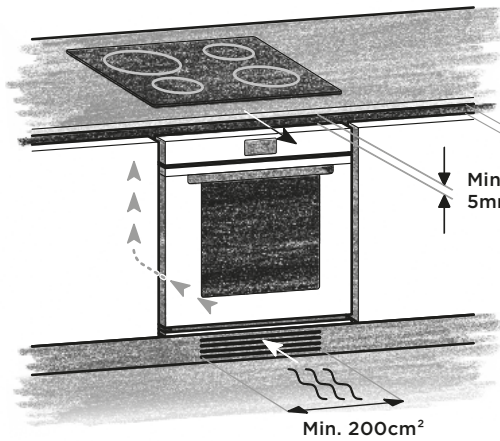
1
Ventilation
Hob above
drawers/
cabinets



2
Separator
panel
installation



3
Ventilation
Hob directly
above oven.
No separator.



Wood to support
 90°C

A separator/insulation panel needs to be installed between base of induction hob and storage space underneath hob respecting dimensions in diagram 1. No panel is to be installed if oven is installed under hob as in diagram 3.

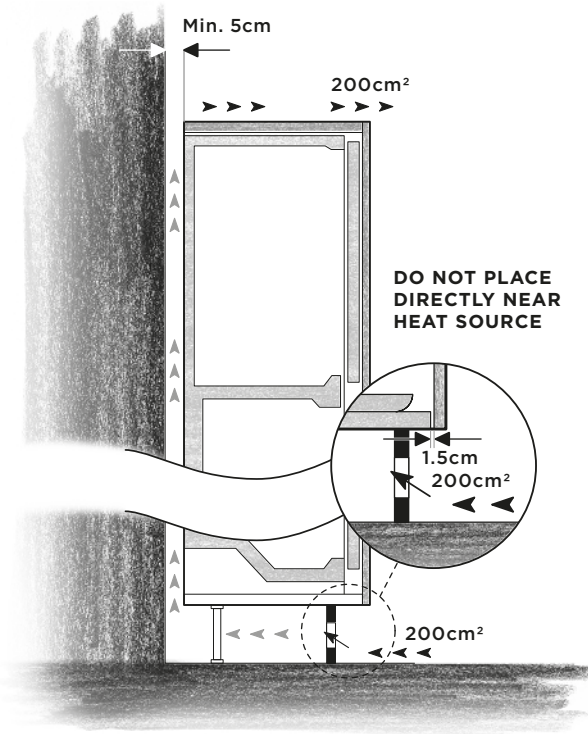
Do not install Hob directly above any other appliance apart from oven.

Gas supply must be available through a copper pipe with rubber pipe endings using a good quality gas regulator.

Electrical socket must be available to connect spark system of hob.

Refer to product data sheets for cut-out of cabinetry.

REFRIGERATION

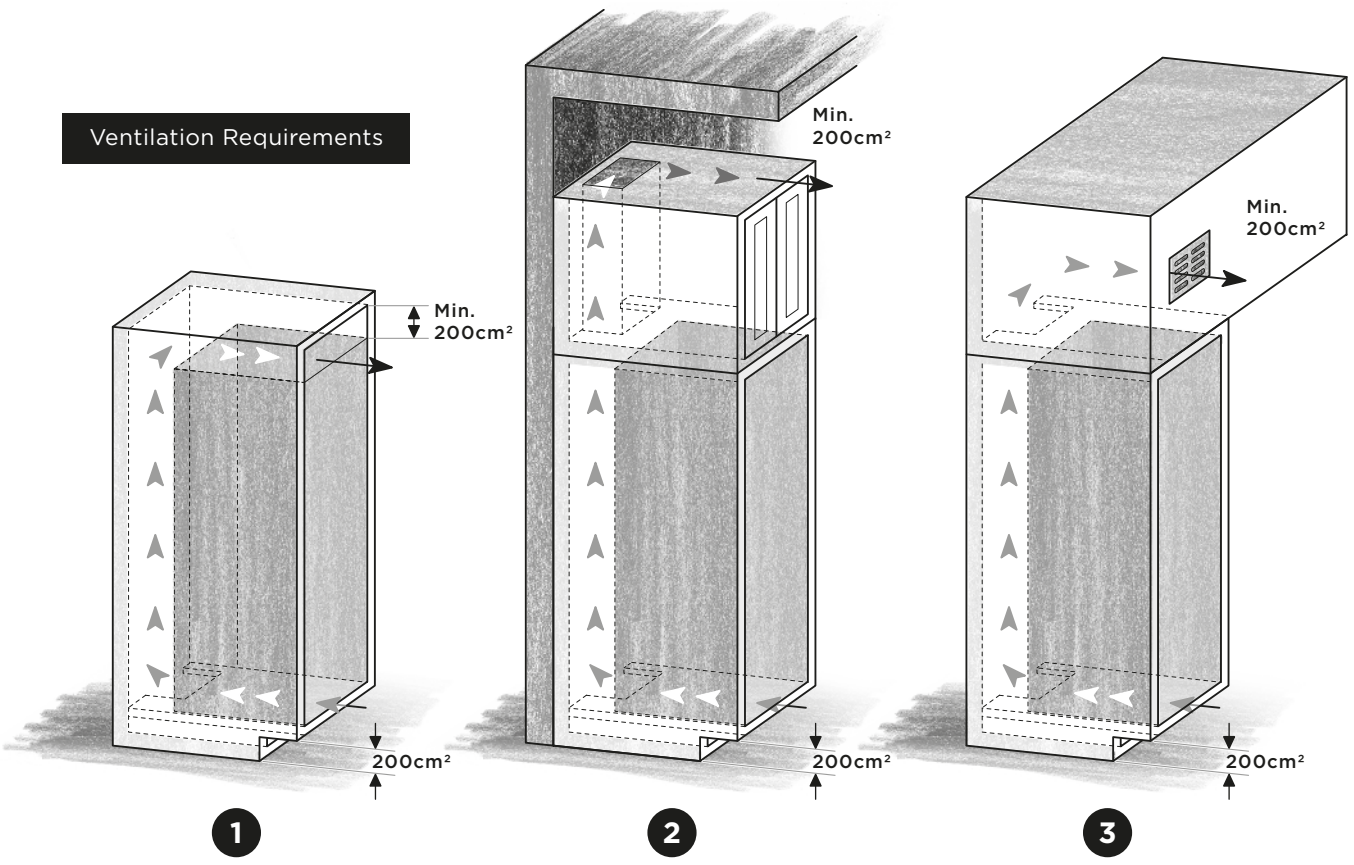


Refer to ventilation diagrams.

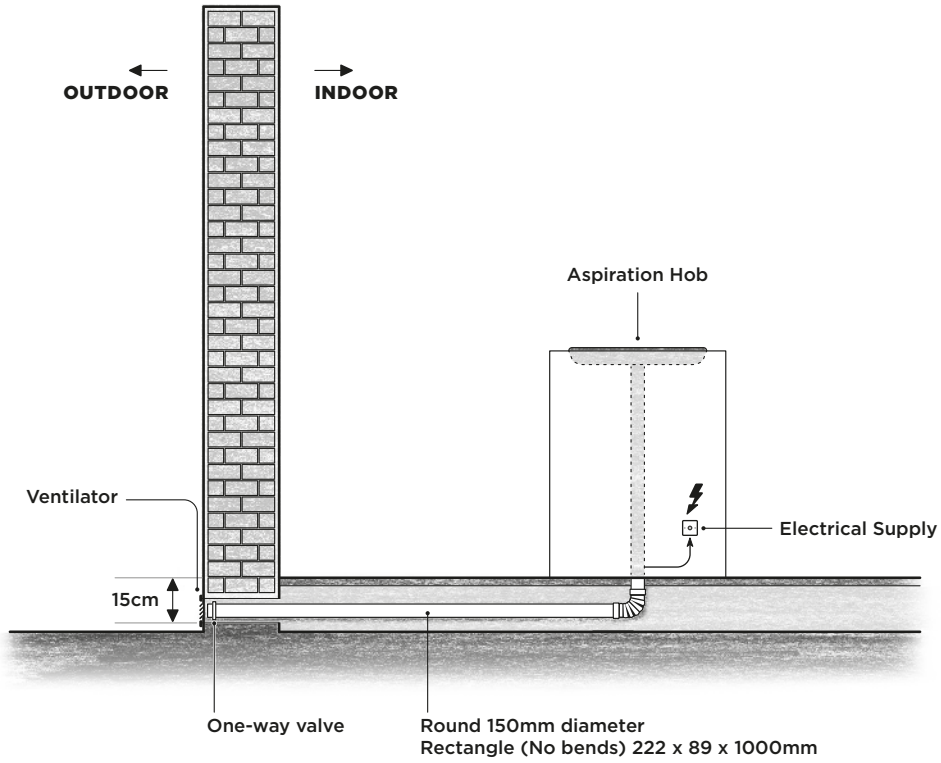
Refer to product specification sheet for cabinetry cut-outs.

It is recommended that electrical socket is to be placed on either side of appliance not more than 1 meter away ideally through a 2-pole switch.

Ventilation Requirements

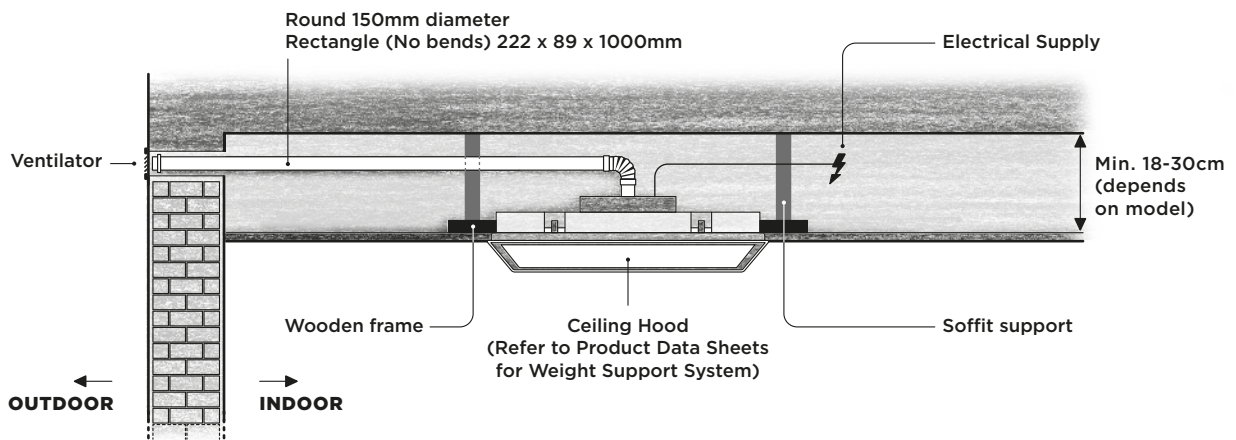


ASPIRATION HOB



Refer to product specification sheet for cabinetry cut-outs.

CEILING HOODS



All models and specifications available on the Elica Catalogue

PREPARING FOR YOUR DELIVERY & INSTALLATION



ORGANIZING DELIVERY

(+356) 21 805 805

logistics@crosscraft.com.mt

Ideally appliances are delivered prior to the delivery of the Kitchen furniture.

Contact Logistical Department not less than 15 days before desired delivery date so we can try our best to accommodate delivery date.

Make sure that appliances will be stored in an ideal location without levels of humidity which might damage the appliance's aesthetic and operational condition.

Indicate if a Lifter is necessary for the delivery to take place, this can be organized at an extra charge through a third-party lifting service.

Upon Delivery you will be given a twenty-four-hour time frame to check all appliances and report any damages or missing items and/or accessories.

Warranty of Products Delivered will commence automatically 3 months after Delivery Date.



PLANNING THE INSTALLATION

(+356) 21 805 805

installations@crosscraft.com.mt

Contact Installation Department to set appointment for appliances to be commissioned.

We will try our best to accommodate your preferred installation date. However, this is subject to availability.

We will send an installation confirmation document so you can verify that all preparations are completed prior to installation.

Should the existing electrical and/or gas connections are not found to be in line with the requirements provided, another appointment would need to be scheduled after necessary amendments are completed. This will result in a charge for every visit.

Kitchen Top is to be installed before Hob can be commissioned in place.

Hoods are to be installed by a Professional Hood Installer after which commissioning will be done afterwards by our installation team.

Appliances will be tested on site to make sure that each appliance is functioning correctly.

The user will be instructed on how to operate the appliances on site with a demonstration from the appliance's installer.

Warranty of Products Delivered will commence automatically 3 months after Delivery Date.

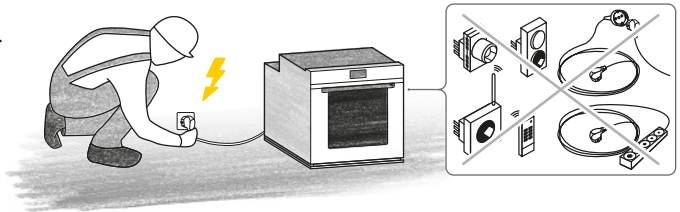
CAUTION

Appliances are not intended to be operated by means of an external switching device, such as a timer, or separate remote-controlled system.

Do not use extension leads, multiple sockets or adapters.

China connectors are not allowed.

It must be possible to disconnect the appliance from the power supply by unplugging it if plug is accessible, or by a multi-pole switch installed upstream of the socket and the appliance must be earthed in conformity with national electrical safety standards.



Whirlpool

 elica



FRANKE

 cape

crosscraft
evolves around **you**

Showroom: Mrieħel Bypass, Qormi. Malta

Head Office: 211, Valletta Road, Paola. PLA 1511, Malta

 (+356) 21 805 805 |  info@crosscraft.com.mt

 facebook.com/Crosscraft.Malta |  CrosscraftMalta

www.crosscraft.com.mt