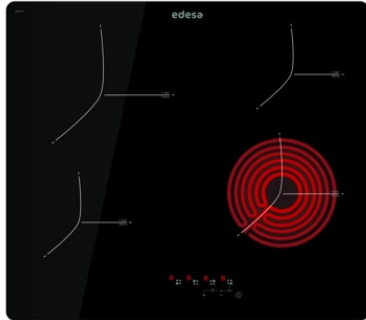


edesa

CERAMIC HOBS



EVT-6422 R

Cod. 922272041

EAN 8422248108553



GENERAL INFORMATION

EAN/UPC	8422248108553
Subfamily	Radiant

Product sheet

Number of cooking zones	4
Zone 1: Technology	Radiant
Zone 1: Type of zone	Simple
Zone 1: Position	Front Right
Zone 1: Zone diameter (mm)	18,5
Zone 1: Power (kW)	1,8
Zone 1: Consumption (Wh / kg)	195,4
Zone 1B: Zone diameter (mm)	N/A
Zone 1C: Zone diameter (mm)	N/A
Zone 2: Technology	Radiant
Zone 2: Type of zone	Simple
Zone 2: Position	Rear Right
Zone 2: Zone diameter (mm)	15
Zone 2: Power (kW)	1,2
Zone 2: Consumption (Wh / kg)	205,3
Zone 2B: Zone diameter (mm)	N/A
Zone 2C: Zone diameter (mm)	N/A
Zone 3: Technology	N/A
Zone 3: Zone diameter (mm)	15
Zone 3: Power (kW)	1,2
Zone 3: Consumption (Wh / kg)	185,4
Zone 3B: Zone diameter (mm)	N/A
Zone 3C: Zone diameter (mm)	N/A
Zone 4: Technology	Radiant
Zone 4: Type of zone	Simple
Zone 4: Position	Rear Left
Zone 4: Zone diameter (mm)	21,5
Zone 4: Power (kW)	2,3
Zone 4: Consumption (Wh / kg)	189,9
Zone 4B: Zone diameter (mm)	N/A
Zone 4C: Zone diameter (mm)	N/A
Zone 5: Technology	N/A
Zone 5: Zone diameter (mm)	N/A
Zone 5B: Zone diameter (mm)	N/A
Zone 5C: Zone diameter (mm)	N/A

Dimensions

Width (mm)	590
Height (mm)	63
Depth (mm)	520
Built-in width (mm)	560
Built-in depth (mm)	490
Easy installation system	Quick Fix

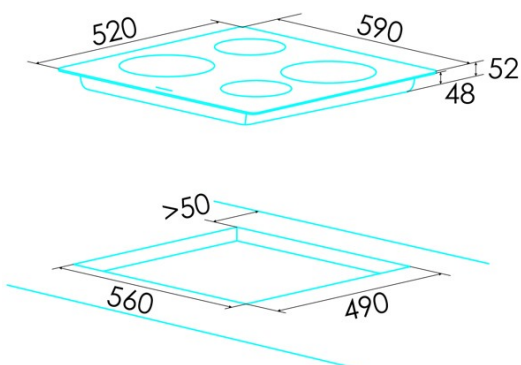
Finishing

Material	Glass
Bevel	Total
Frame	No
Cooking supports	N/A

Control

Control type	Touch control
Control position	Front Centre
Independent zone control	√
Hidden control	-
Power levels	9
Knob type	N/A
Cooking time programming	√
Countdown alarm	√
Power management	-
Available power limits (kW)	No
Connectivity	No
Autoignition	N/A

Safety



Safety lock	√
Child lock	No
Residual heat indicator	√
Automatic cookware detection	-
Smart cookware detection	-
Automatic safety shutdown	√
Liquid spill detection	√
Safety valve	-

Electrical connection

Nominal voltage (V)	220-240
Nominal frequency (Hz)	50/60
Nominal input power (W)	6,5
Multiphase connection option	No
Electric shock protection	Class I
Plug type	No plug
